

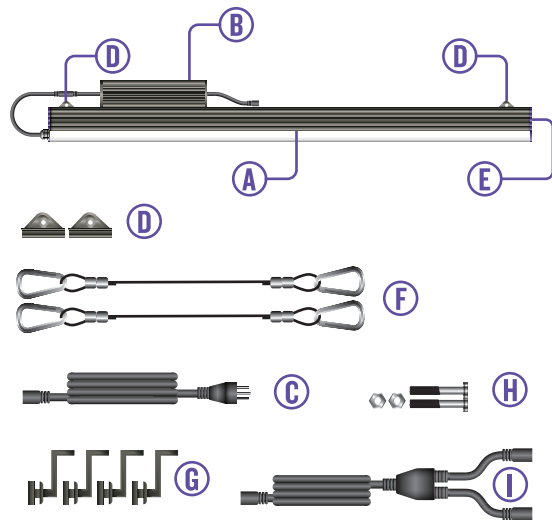
## SET UP GUIDE



## CONGRATULATIONS ON PURCHASING THE KIND LED X SERIES BAR LIGHT.

This guide will show you how to setup and use your new X Series Bar Light.

### OVERVIEW

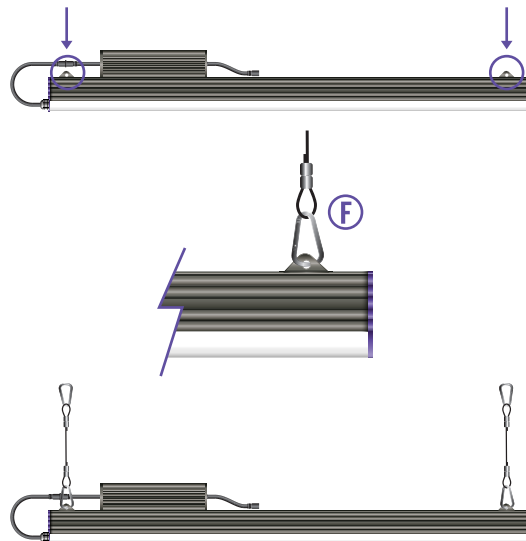


- A. Bar Light Fixture
- B. Driver (attached)
- C. Power Cord
- D. Hanging Mounts (x2)
- E. Endcap
- F. Hanging Cords with Carabiners (x2)
- G. Flush Mounts (x4) X40, X80, XC150
- H. End Cap Connection Hardware
- I. Daisy Chain Cord

## HANGING YOUR LIGHT

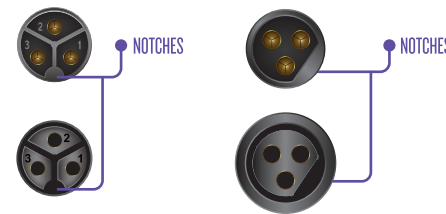
To hang the X Series Bar Light:

1. Locate the two sliding Hanging Mounts (D) on the light fixture.
2. Attach one Hanging Cord, via the Carabiner, to each of the Hanging Mounts.
3. Attach opposite ends of your Hanging Cords to your desired location.



## GETTING STARTED

Once you have properly installed your KIND LED X Series Bar Light, **carefully remove the protective plastic film from the lens**. You can now plug in your fixture. Alignment of internal notches will ensure proper connection of cord ends. Once ends are fully seated, secure with threaded water tight sleeve.



## CONNECTING MULTIPLE LIGHTS

If connecting power cord to one light, simply connect the female connector on the power cord directly to the male connector on the driver.

For further information, consult the best practices guide at [www.kindledgrowlights.com](http://www.kindledgrowlights.com). After initial setup your recommended hanging heights are as follows:

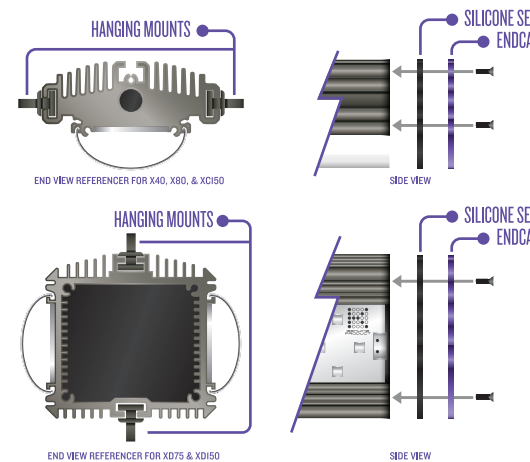
MODEL	HEIGHT ABOVE CANOPY (IN.)
X40	8" - 16"
X80	8" - 16"
XD75/150	8" - 16" (HORIZONTAL DISTANCE)
XC150	12" - 24"

## ADJUSTING THE HANGING MOUNT LOCATION

X Series Bar Lights offer the ability to adjust the hanging mount location on the light fixture to maximize versatility.

For side mount (X40, X80, XC150) or stacked (XD75, XD150) light configurations:

1. Locate the Endcap opposite of the Power Ballast.
2. Carefully remove the Endcap using a screwdriver, then remove the protective silicone seal (do not discard).
3. Slide to remove the Hanging Mounts from the current channel. Slide the Hanging Mounts into the new desired channel.
4. Reattach the silicone seal and Endcap to ensure a snug fit.



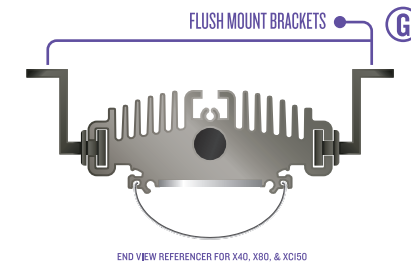
## FLUSH MOUNTING THE X SERIES BAR LIGHTS

X40, X80, XC150 MODELS ONLY

X Series Bar Lights offer the ability to mount the fixture flush to a surface.

For flush mount configurations:

1. Locate the Endcap opposite of the Power Ballast.
2. Carefully remove the Endcap using a screwdriver, then remove the protective silicone seal (do not discard).
3. Remove the Hanging Mounts from the top channel of the fixture.
4. Slide two Flush Mount Bracket (G) into each of the side channels of the fixture.
5. Reattach the silicone seal and Endcap to ensure a snug fit.

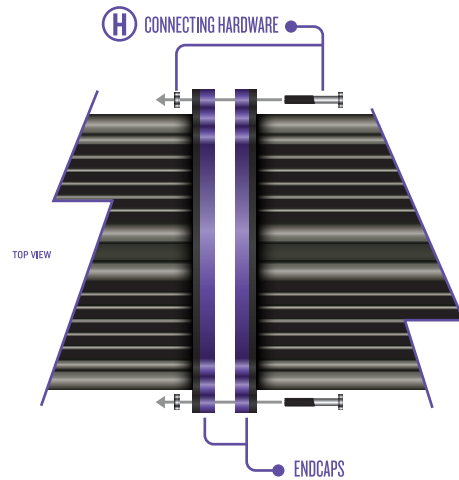


## ATTACHING TWO OR MORE LIGHTS VIA END CAP CONNECTION HARDWARE

X Series Bar Lights offer mounting points for linear connection of multiple lights.

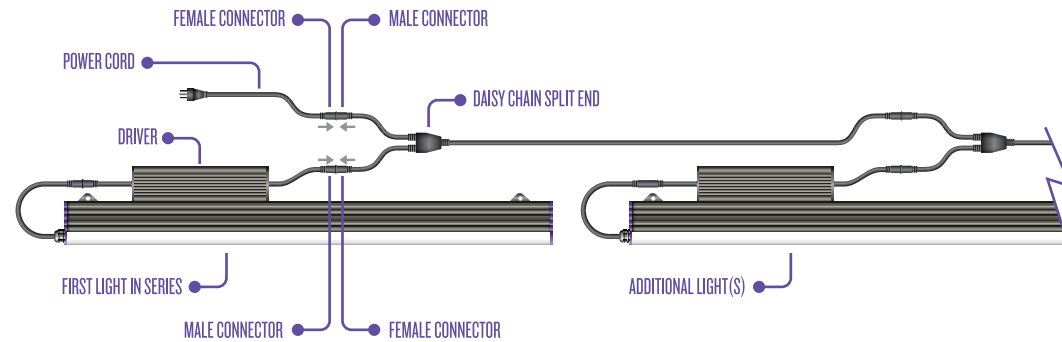
For light to light linear Endcap mounting:

1. Place two lights, end to end, aligning the Endcap mounting holes.
2. Use the Endcap Connection Hardware (H) to connect the two lights. Tighten to ensure a snug fit.



## DAISY CHAIN SET UP

If daisy chaining multiple lights together, please connect the female connector of the power cord to the male connector on the split end of the daisy chain cord. The female connector on the split end of the daisy chain cord will then attach to the driver that will be first in the series of daisy chained lights. The opposite end of the daisy chain cord will then extend to the next light in the series and this



process will repeat itself with the female end of the cord attaching to the male end of the next daisy chain cord.

**NOTE:** *The last light in the series will simply have the female connector at the end of the daisy chain cord plugged into the male connector directly attached to the driver.*

## BAR LIGHT CARE

Your new KIND LED X Series Bar Light is equipped with an IP65 Rating which ensures that your light fixture is dust tight and impervious to spraying water. If, when adjusting the mounting locations, you have removed the Endcap and Silicone Seal, please take care to make sure the Endcap and Seal are securely fastened and seated to the fixture once reattached.

For consistent high performance from your X Series Bar Light, please keep the lens cover clean of dust, and water residue.

For a detailed manual regarding common use, best practices, and growing tips, as well as complete documentation of the KIND LED Terms of Use, please refer to [www.kindledgrowlights.com](http://www.kindledgrowlights.com)

